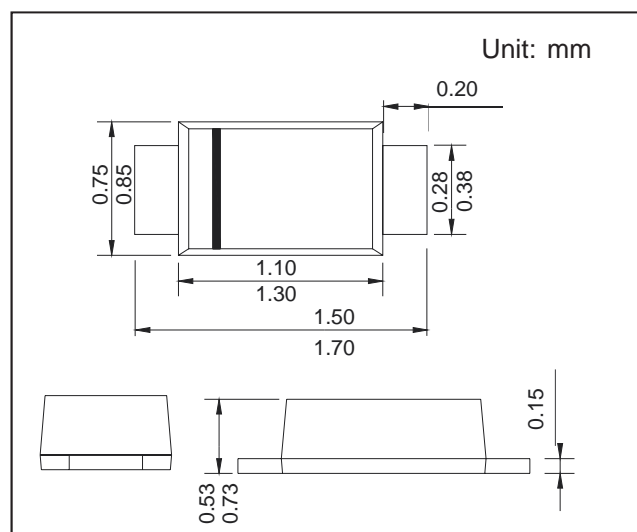


FEATURES

- High-Speed Switching Applications
- Lead Finish: 100% Matte Sn (Tin) Qualified
- Reflow Temperature: 260 /
- Extremely Small SOD-523 Package



MAXIMUM RATINGS AND CHARACTERISTICS

@ 25°C Ambient Temperature (unless otherwise noted)

